



*Internationally Recognized
Technically Advanced
Innovative Products*

INNOVATION ✦ RELIABILITY ✦ QUALITY ✦ PERFORMANCE ✦ INNOVATION ✦ RELIABILITY ✦ QUALITY ✦ PERFORMANCE ✦ INNOVATION ✦ RELIABILITY ✦ QUALITY ✦ PERFORMANCE

GTI[®]
Concrete
Accessories



GENERAL TECHNOLOGIES, INC.[®]



GTI[®] Composite PC Chairs™

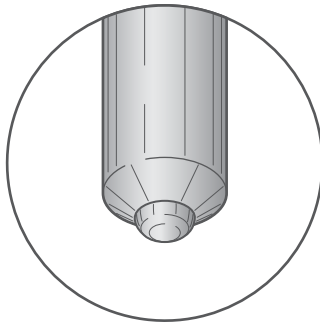
Internationally Recognized
Technically Advanced
Innovative Products

INNOVATION ♦ RELIABILITY ♦ QUALITY ♦ PERFORMANCE ♦ INNOVATION ♦ RELIABILITY ♦ QUALITY ♦ PERFORMANCE ♦ INNOVATION ♦ RELIABILITY ♦ QUALITY ♦ PERFORMANCE

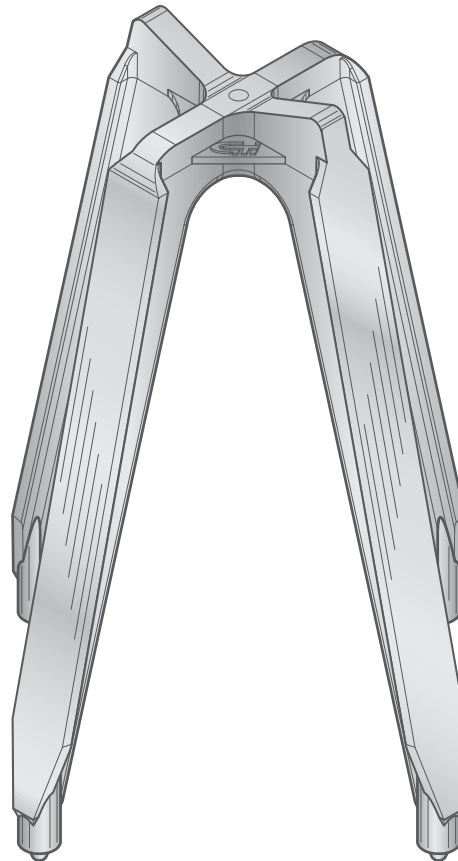
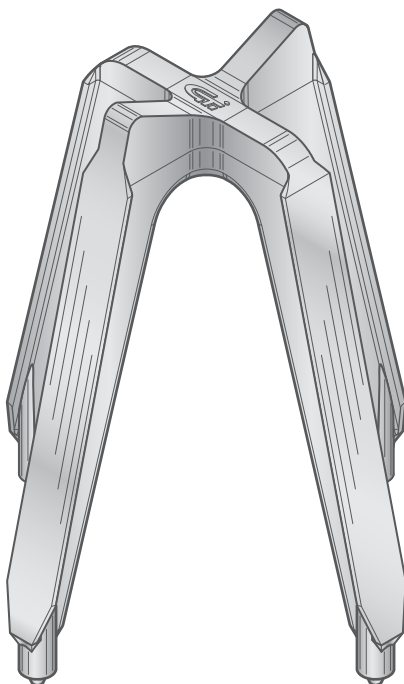
Primary Uses: Precast Concrete Slab and Wall Panels
Tilt-up Concrete Wall Panels
Elevated Slabs

Size: From 3/4" to 12 1/2" (1/4" increments)

- Features:**
- Grey or black
 - Ball on foot does not damage form work
 - Ball is virtually invisible on concrete surface
 - Designed for maximum aggregate flow and concrete consolidation
 - Will cradle all sizes of reinforcing bars
 - Larger stable footprint
 - The strongest chair in the industry



Detail of Ball Foot



SIZE	PART NO. BLACK	PART NO. GREY
3/4"	214075	216075
1"	214100	216100
1 1/4"	214125	216125
1 1/2"	214150	216150
1 3/4"	214175	216175
2"	214200	216200
2 1/4"	214225	216225
2 1/2"	214250	216250
2 3/4"	214275	216275
3"	214300	216300
3 1/4"	214325	216325
3 1/2"	214350	216350
3 3/4"	214375	216375
4"	214400	216400
4 1/4"	214425	216425
4 1/2"	214450	216450
4 3/4"	214475	216475
5"	214500	216500
5 1/4"	214525	216525
5 1/2"	214550	216550
5 3/4"	214575	216575
6"	214600	216600
6 1/4"	214625	216625
6 1/2"	214650	216650
6 3/4"	214675	216675
7"	214700	216700
7 1/4"	214725	216725
7 1/2"	214750	216750
7 3/4"	214775	216775
8"	214800	216800
8 1/4"	214825	216825
8 1/2"	214850	216850
8 3/4"	214875	216875
9"	214900	216900
9 1/4"	214925	216925
9 1/2"	214950	216950
9 3/4"	214975	216975
10"	214980	216980
10 1/4"	214981	216981
10 1/2"	214982	216982
10 3/4"	214983	216983
11"	214984	216984
11 1/4"	214985	216985
11 1/2"	214986	216986
11 3/4"	214987	216987
12"	214988	216988
12 1/4"	214989	216989
12 1/2"	214990	216990

PRODUCT APPLICATIONS

DOT PC PT SOG SE TU

Note: Sand Plate available.

GTI[®] Composite Bar Supports comply with the Build America, Buy America Act (BABA) and all aspects of CRSI/ANSI RB4.1.

See www.gti-usa.net/patents.shtml for a listing of many of the patents licensed to GTI[®], including patents that may cover one or more of the products identified on this page.



GTI[®] Composite Tall Chairs

Internationally Recognized
Technically Advanced
Innovative Products

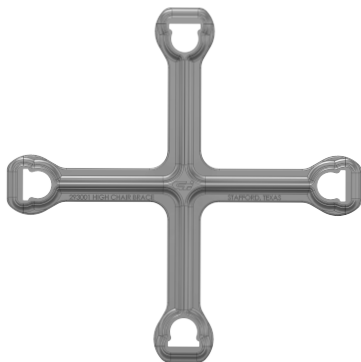
INNOVATION ♦ RELIABILITY ♦ QUALITY ♦ PERFORMANCE ♦ INNOVATION ♦ RELIABILITY ♦ QUALITY ♦ PERFORMANCE ♦ INNOVATION ♦ RELIABILITY ♦ QUALITY ♦ PERFORMANCE

Primary Uses: Elevated Slabs
Thickened Foundation Mats
Beams

Size: From 12³/₄" to 18" (in 1/4" increments)

- Features:**
- Ball on foot does not damage formwork
 - Designed for maximum aggregate flow and concrete consolidation
 - Large stable footprint
 - Can be used with or without X-brace installed to allow for straddling lower mats
 - Sizes marked on chair leg

SIZE	PART NO.
12 ³ / ₄ "	293275
13"	293300
13 ¹ / ₄ "	293325
13 ¹ / ₂ "	293350
13 ³ / ₄ "	293375
14"	293400
14 ¹ / ₄ "	293425
14 ¹ / ₂ "	293450
14 ³ / ₄ "	293475
15"	293500
15 ¹ / ₄ "	293525
15 ¹ / ₂ "	293550
15 ³ / ₄ "	293575
16"	293600
16 ¹ / ₄ "	293625
16 ¹ / ₂ "	293650
16 ³ / ₄ "	293675
17"	293700
17 ¹ / ₄ "	293725
17 ¹ / ₂ "	293750
17 ³ / ₄ "	293775
18"	293800
X-Brace	293001



PRODUCT APPLICATIONS
DOT PC PT SE TU SOG



GTI® Composite Stack Chairs™

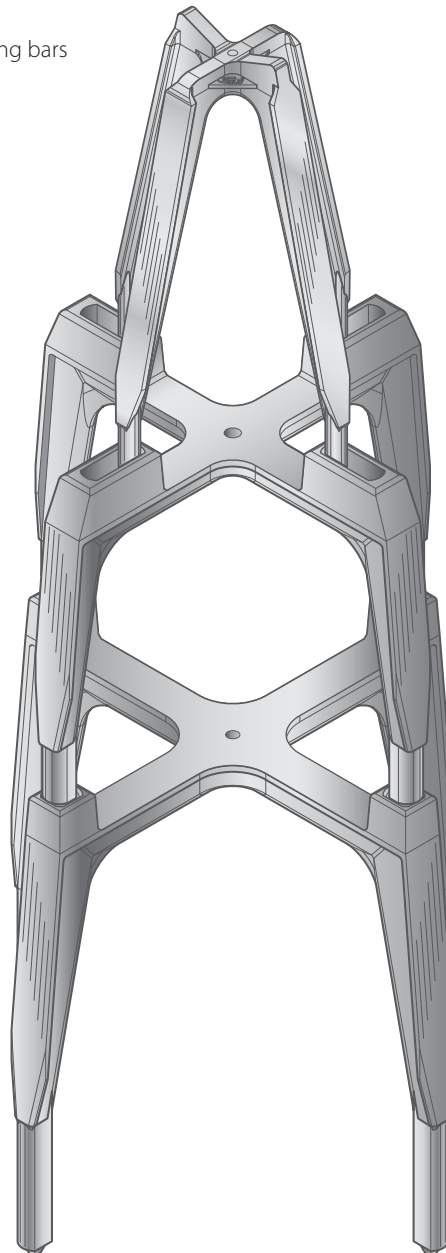
Internationally Recognized
Technically Advanced
Innovative Products

INNOVATION ♦ RELIABILITY ♦ QUALITY ♦ PERFORMANCE ♦ INNOVATION ♦ RELIABILITY ♦ QUALITY ♦ PERFORMANCE ♦ INNOVATION ♦ RELIABILITY ♦ QUALITY ♦ PERFORMANCE

Primary Uses: Top Layer Double Mat Support - PT, Rebar or Wire Mesh
Tilt-up Concrete Wall Panels

Size: From 18¹/₄" to 26¹/₂" (in 1/4" increments)

- Features:**
- Points on legs assure minimal surface contact and become virtually invisible
 - Designed for maximum aggregate flow and concrete consolidation
 - Will cradle all sizes of reinforcing bars
 - Larger, more stable footprint



3-PIECE CHAIRS

SIZE	PART NO.
18 ¹ / ₄ "	291825
18 ¹ / ₂ "	291850
18 ³ / ₄ "	291875
19"	291900
19 ¹ / ₄ "	291925
19 ¹ / ₂ "	291950
19 ³ / ₄ "	291975
20"	292000
20 ¹ / ₄ "	292025
20 ¹ / ₂ "	292050
20 ³ / ₄ "	292075
21"	292100
21 ¹ / ₄ "	292125
21 ¹ / ₂ "	292150
21 ³ / ₄ "	292175
22"	292200
22 ¹ / ₄ "	292225
22 ¹ / ₂ "	292250
22 ³ / ₄ "	292275
23"	292300
23 ¹ / ₄ "	292325
23 ¹ / ₂ "	292350
23 ³ / ₄ "	292375
24"	292400
24 ¹ / ₄ "	292425
24 ¹ / ₂ "	292450
24 ³ / ₄ "	292475
25"	292500
25 ¹ / ₄ "	292525
25 ¹ / ₂ "	292550
25 ³ / ₄ "	292575
26"	292600
26 ¹ / ₄ "	292625
26 ¹ / ₂ "	292650

PRODUCT APPLICATIONS

DOT PC PT SE TU SOG



GTI® Composite Bar Chairs & GTI® Composite High Chairs

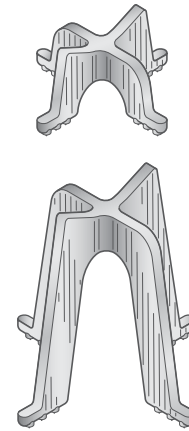
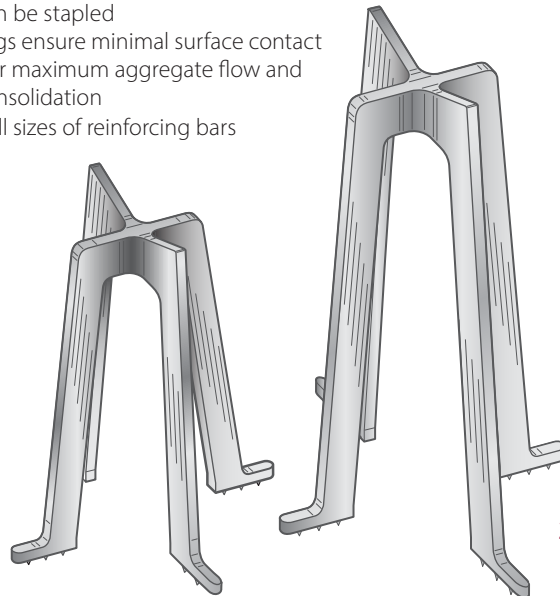
Internationally Recognized
Technically Advanced
Innovative Products

INNOVATION ♦ RELIABILITY ♦ QUALITY ♦ PERFORMANCE ♦ INNOVATION ♦ RELIABILITY ♦ QUALITY ♦ PERFORMANCE ♦ INNOVATION ♦ RELIABILITY ♦ QUALITY ♦ PERFORMANCE

Primary Uses: Single Mat Support - PT, Rebar or Wire Mesh
Bottom Layer Double Mat Support - PT, Rebar or Wire Mesh
Slab-on-Grade using a Sand Plate

Sizes: From 1/2" to 10" (1/4" increments)

- Features:**
- Feet that can be stapled
 - Points on legs ensure minimal surface contact
 - Designed for maximum aggregate flow and concrete consolidation
 - Will cradle all sizes of reinforcing bars



210 Series

208 Series

SIZE	PART NO.	SIZE	PART NO.
1/2"	210050	6"	208600
3/4"	210075	6 1/4"	208625
1"	210100	6 1/2"	208650
1 1/4"	210125	6 3/4"	208675
1 1/2"	210150	7"	208700
1 3/4"	210175	7 1/4"	208725
2"	210200	7 1/2"	208750
2 1/4"	210225	7 3/4"	208775
2 1/2"	210250	8"	208800
2 3/4"	210275	8 1/4"	208825
3"	210300	8 1/2"	208850
3 1/4"	210325	8 3/4"	208875
3 1/2"	210350	9"	208900
3 3/4"	210375	9 1/4"	208925
4"	210400	9 1/2"	208950
4 1/4"	210425	9 3/4"	208975
4 1/2"	210450	10"	208101
4 3/4"	210475		
5"	210500		
5 1/4"	210525		
5 1/2"	210550		
5 3/4"	210575		

PRODUCT APPLICATIONS

DOT PC PT SOG SE

GTI® Sand Plates

Primary Uses: Slab-on-Grade, Precast Insulated Sandwich Panels

Size: See Table

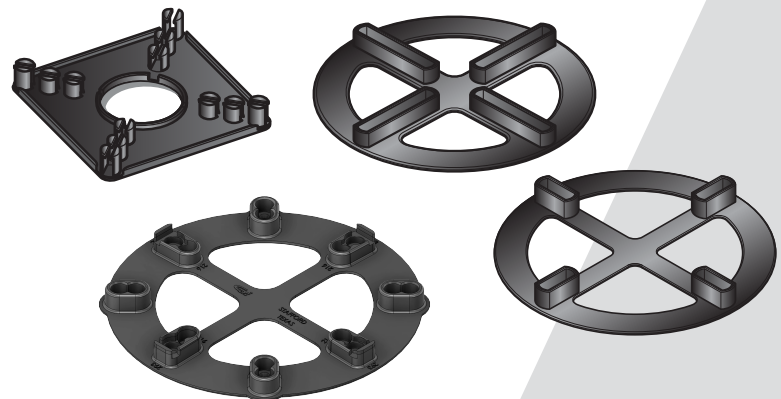
Features: Multiple sizes for all chair types

PRODUCT APPLICATIONS

DOT PC PT SOG



PART NO.	208 SERIES	210 SERIES	216/214 SERIES	293 SERIES
210001		1/2" - 4 3/4"		
208002	6" - 10"	5" - 5 3/4"		
216001			3/4" - 4 3/4"	
216002			5" - 8 3/4"	
293002			9" - 10 3/4"	11" - 18"





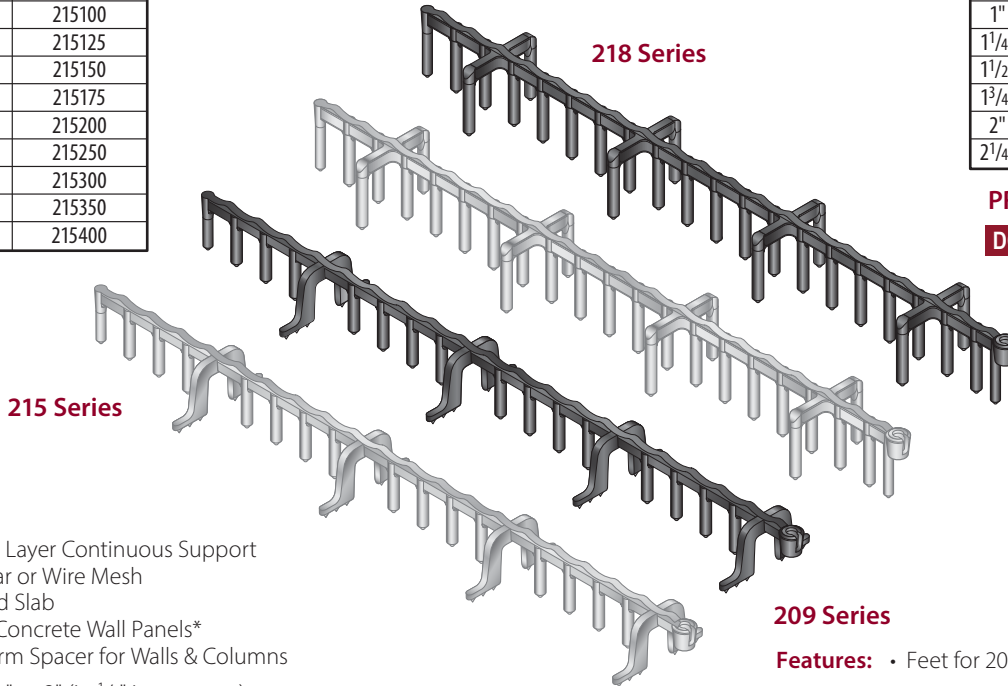
GTI® Composite Slab/Beam Bolsters®

Internationally Recognized
Technically Advanced
Innovative Products

INNOVATION ♦ RELIABILITY ♦ QUALITY ♦ PERFORMANCE ♦ INNOVATION ♦ RELIABILITY ♦ QUALITY ♦ PERFORMANCE ♦ INNOVATION ♦ RELIABILITY ♦ QUALITY ♦ PERFORMANCE

SIZE	PART NO. BLACK	PART NO. GREY
3/4"	209075	215075
1"	209100	215100
1 1/4"	209125	215125
1 1/2"	209150	215150
1 3/4"	209175	215175
2"	209200	215200
2 1/2"	209250	215250
3"	209300	215300
3 1/2"	209350	215350
4"	209400	215400

SIZE	PART NO. BLACK	PART NO. GREY
3/4"	218007	218075
1"	218010	218100
1 1/4"	218012	218125
1 1/2"	218015	218150
1 3/4"	218017	218175
2"	218020	218200
2 1/4"	218022	218225



PRODUCT APPLICATIONS

DOT PC PT SE TU WC

Primary Uses: Bottom Layer Continuous Support
PT, Rebar or Wire Mesh
Elevated Slab
Tilt-up Concrete Wall Panels*
Side Form Spacer for Walls & Columns

Size: From 3/4" to 2" (in 1/4" increments)
209 and 215 series from 2 1/2" to 4" (in 1/2" increments)
218 series from 3/4" to 2 1/4" (in 1/4" increments)

209 Series

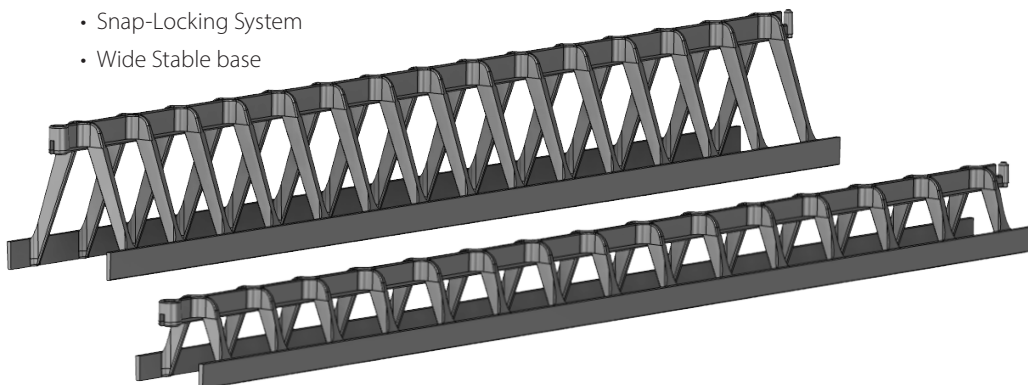
- Features:**
- Feet for 209/215 series can be stapled
 - Points on legs assure minimal surface contact for the 218 series.
 - Manufactured in 5'0" lengths

GTI® Slab Bolster Upper

Primary Uses: Top Layer Double Mat Support - PT, Rebar or Wire Mesh

Size: From 1" to 4 1/2" (in 1/4" increments) x 5' Long

- Features:**
- Continuous Runner
 - Designed for maximum aggregated flow and concrete consolidation
 - Snap-Locking System
 - Wide Stable base



SIZE	PART NO.
1"	260100
1 1/4"	260125
1 1/2"	260150
1 3/4"	260175
2"	260200
2 1/4"	260225
2 1/2"	260250
2 3/4"	260275
3"	260300
3 1/4"	260325
3 1/2"	260350
3 3/4"	260375
4"	260400
4 1/4"	260425
4 1/2"	260450

PRODUCT APPLICATIONS

DOT PC PT SOG SE TU

GTI® Composite Bar Supports comply with the Build America, Buy America Act (BABA) and all aspects of CRSI/ANSI RB4.1.

See www.gti-usa.net/patents.shtml for a listing of many of the patents licensed to GTI®, including patents that may cover one or more of the products identified on this page.



GTI® Single Lock Paving Chairs®

Internationally Recognized
Technically Advanced
Innovative Products

INNOVATION ♦ RELIABILITY ♦ QUALITY ♦ PERFORMANCE ♦ INNOVATION ♦ RELIABILITY ♦ QUALITY ♦ PERFORMANCE ♦ INNOVATION ♦ RELIABILITY ♦ QUALITY ♦ PERFORMANCE

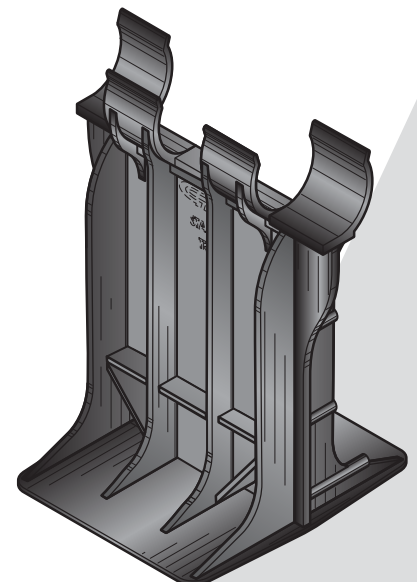
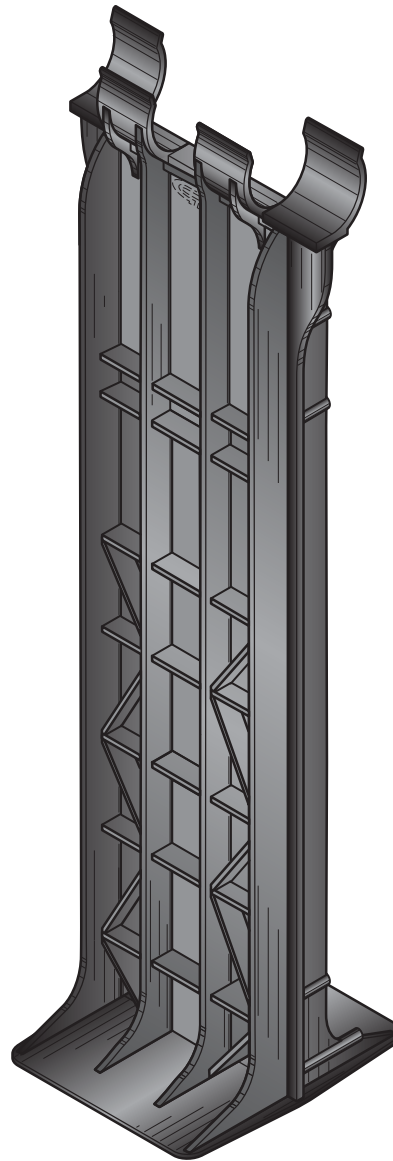
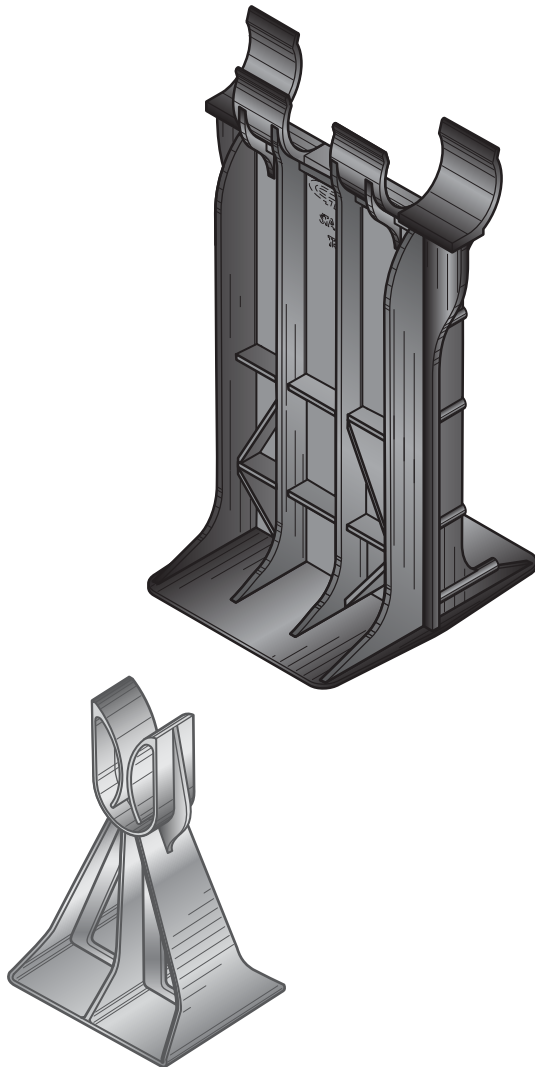
Primary Uses: Slab-on-Grade
Single Mat - Rebar
City, County & Highway Paving
Bottom Layer Double Mat Support - Rebar
Top Layer Double Mat Support - Rebar

Size: From 2¾" to 10¾" (¼" increments)

Features:

- Fits #5 or #6 Rebar
- Built-in Base Plate

SIZE	PART NO.#5	PART NO.#6
2¾"	212327	212527
3"	212330	212530
3¼"	212332	212532
3½"	212335	212535
3¾"	212337	212537
4"	212340	212540
4¼"	212342	212542
4½"	212345	212545
4¾"	212347	212547
5"	212350	212550
5¼"	212352	212552
5½"	212355	212555
5¾"	212357	212557
6"	212360	212560
6¼"	212362	212562
6½"	212365	212565
6¾"	212367	212567
7"	212370	212570
7¼"	212372	212572
7½"	212375	212575
7¾"	212377	212577
8"	212380	212580
8¼"	212382	212582
8½"	212385	212585
8¾"	212387	212587
9"	212390	212590
9¼"	212392	212592
9½"	212395	212595
9¾"	212397	212597
10"	212310	212510
10¼"	212312	212512
10½"	212315	212515
10¾"	212317	212517



GTI® ECONOMY PAVING CHAIRS	
SIZE	PART NO.
2¼"	212225
3¼"	212325

Primary Uses: Driveways, Sidewalks,
City/County Paving,
Slab on Grade

Features:

- Fits #3–#4 Rebar

PRODUCT APPLICATIONS

DOT SOG

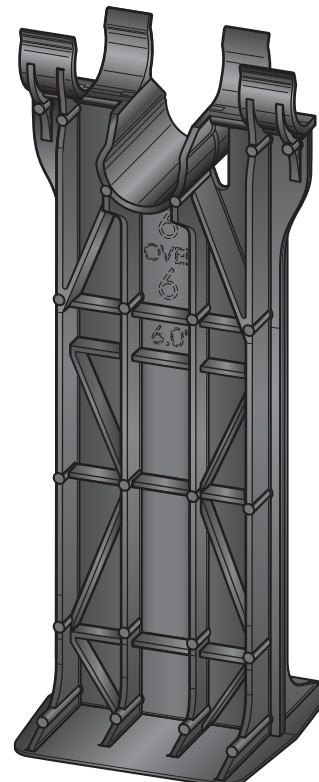
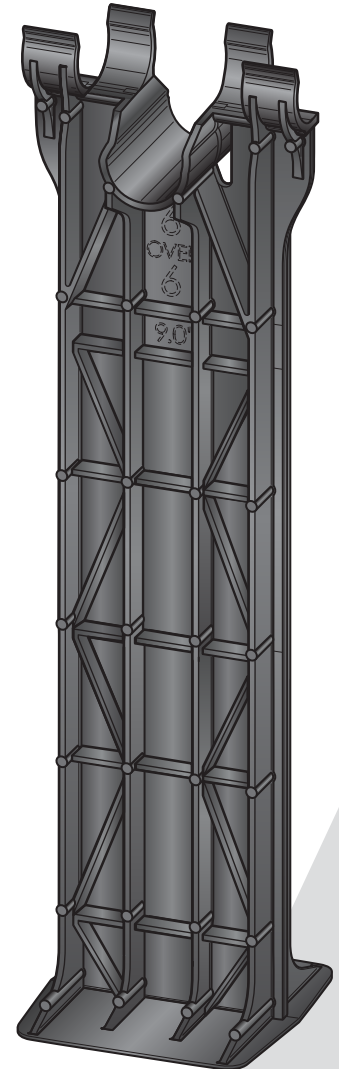
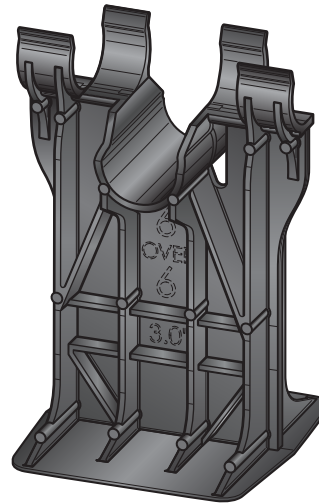


GTI® Double Lock Paving Chairs™

Internationally Recognized
Technically Advanced
Innovative Products

INNOVATION ♦ RELIABILITY ♦ QUALITY ♦ PERFORMANCE ♦ INNOVATION ♦ RELIABILITY ♦ QUALITY ♦ PERFORMANCE ♦ INNOVATION ♦ RELIABILITY ♦ QUALITY ♦ PERFORMANCE

- Primary Uses:** Slab-on-Grade - Rebar, PT
Single Mat - Rebar
City, County & Highway Paving
Bottom Layer Double Mat Support - Rebar
Top Layer Double Mat Support - Rebar
- Size:** From 2 1/2" to 10 3/4" (1/4" increments)
- Features:**
- Fits #4 - #7 rebar
 - Built-in Base Plate



SIZE	#4 / #4	#5 / #4	#5 / #5	#6 / #5	#6 / #6	#7 / #5	#7 / #6	#7 / #7
2 1/2"	217125	217225	217325	217425	217525	217625	217725	217825
2 3/4"	217127	217227	217327	217427	217527	217627	217727	217827
3"	217130	217230	217330	217430	217530	217630	217730	217830
3 1/4"	217132	217232	217332	217432	217532	217632	217732	217832
3 1/2"	217135	217235	217335	217435	217535	217635	217735	217835
3 3/4"	217137	217237	217337	217437	217537	217637	217737	217837
4"	217140	217240	217340	217440	217540	217640	217740	217840
4 1/4"	217142	217242	217342	217442	217542	217642	217742	217842
4 1/2"	217145	217245	217345	217445	217545	217645	217745	217845
4 3/4"	217147	217247	217347	217447	217547	217647	217747	217847
5"	217150	217250	217350	217450	217550	217650	217750	217850
5 1/4"	217152	217252	217352	217452	217552	217652	217752	217852
5 1/2"	217155	217255	217355	217455	217555	217655	217755	217855
5 3/4"	217157	217257	217357	217457	217557	217657	217757	217857
6"	217160	217260	217360	217460	217560	217660	217760	217860
6 1/4"	217162	217262	217362	217462	217562	217662	217762	217862
6 1/2"	217165	217265	217365	217465	217565	217665	217765	217865
6 3/4"	217167	217267	217367	217467	217567	217667	217767	217867
7"	217170	217270	217370	217470	217570	217670	217770	217870
7 1/4"	217172	217272	217372	217472	217572	217672	217772	217872
7 1/2"	217175	217275	217375	217475	217575	217675	217775	217875
7 3/4"	217177	217277	217377	217477	217577	217677	217777	217877
8"	217180	217280	217380	217480	217580	217680	217780	217880
8 1/4"	217182	217282	217382	217482	217582	217682	217782	217882
8 1/2"	217185	217285	217385	217485	217585	217685	217785	217885
8 3/4"	217187	217287	217387	217487	217587	217687	217787	217887
9"	217190	217290	217390	217490	217590	217690	217790	217890
9 1/4"	217192	217292	217392	217492	217592	217692	217792	217892
9 1/2"	217195	217295	217395	217495	217595	217695	217795	217895
9 3/4"	217197	217297	217397	217497	217597	217697	217797	217897
10"	217110	217210	217310	217410	217510	217610	217710	217810
10 1/4"	217112	217212	217312	217412	217512	217612	217712	217812
10 1/2"	217115	217215	217315	217415	217515	217615	217715	217815
10 3/4"	217117	217217	217317	217417	217517	217617	217717	217817

PRODUCT APPLICATIONS

DOT SOG



GTI® Single Lock Paving Chairs G2

Internationally Recognized
Technically Advanced
Innovative Products

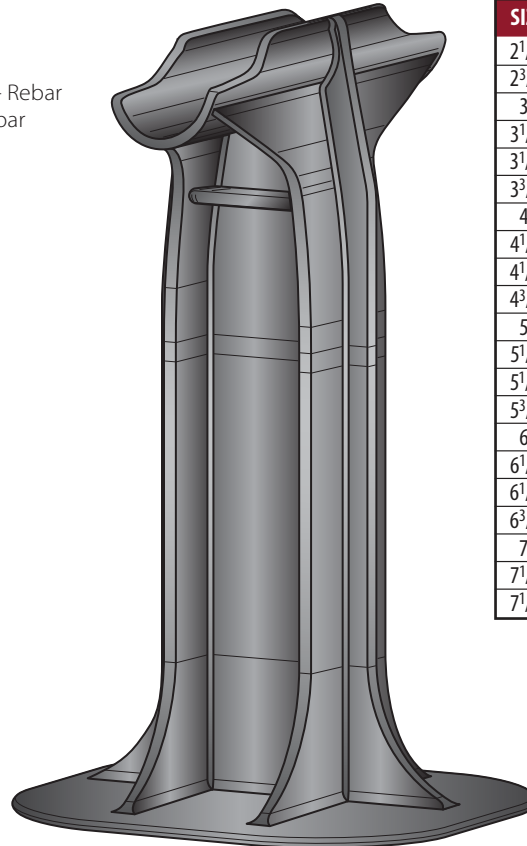
INNOVATION ♦ RELIABILITY ♦ QUALITY ♦ PERFORMANCE ♦ INNOVATION ♦ RELIABILITY ♦ QUALITY ♦ PERFORMANCE ♦ INNOVATION ♦ RELIABILITY ♦ QUALITY ♦ PERFORMANCE

Primary Uses: Slab-on-Grade - Rebar, PT
Single Mat - Rebar
City, County & Highway Paving
Bottom Layer Double Mat Support - Rebar
Top Layer Double Mat Support - Rebar

Size: From 2 1/2" to 7 1/2" (1/4" increments)

Features:

- Fits #3 / #4, #5, #6, #7 Rebar
- Built-in Base Plate



SIZE	#3 / #4	#5	#6	#7
2 1/2"	223225	222325	222425	222925
2 3/4"	223227	222327	222427	222927
3"	223230	222330	222430	222930
3 1/4"	223232	222332	222432	222932
3 1/2"	223235	222335	222435	222935
3 3/4"	223237	222337	222437	222937
4"	223240	222340	222440	222940
4 1/4"	223242	222342	222442	222942
4 1/2"	223245	222345	222445	222945
4 3/4"	223247	222347	222447	222947
5"	223250	222350	222450	222950
5 1/4"	223252	222352	222452	222952
5 1/2"	223255	222355	222455	222955
5 3/4"	223257	222357	222457	222957
6"	223260	222360	222460	222960
6 1/4"	223262	222362	222462	222962
6 1/2"	223265	222365	222465	222965
6 3/4"	223267	222367	222467	222967
7"	223270	222370	222470	222970
7 1/4"	223272	222372	222472	222972
7 1/2"	223275	222375	222475	222975

PRODUCT APPLICATIONS

DOT **SOG**

GTI® Single Lock Mesh Chairs G2

Primary Uses: Slab-on-Grade

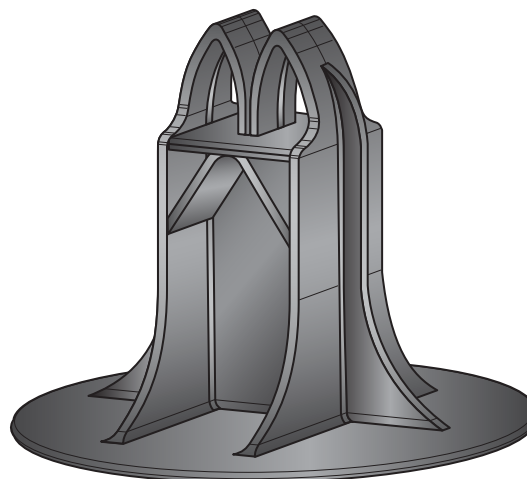
Size: From 2 1/2" to 7 1/2" (1/4" increments)

Features:

- Fits Mesh
- Built-in Base Plate

PRODUCT APPLICATIONS

DOT **SOG**



SIZE	MESH
2 1/2"	223125
2 3/4"	223127
3"	223130
3 1/4"	223132
3 1/2"	223135
3 3/4"	223137
4"	223140
4 1/4"	223142
4 1/2"	223145
4 3/4"	223147
5"	223150
5 1/4"	223152
5 1/2"	223155
5 3/4"	223157
6"	223160
6 1/4"	223162
6 1/2"	223165
6 3/4"	223167
7"	223170
7 1/4"	223172
7 1/2"	223175



GTI® Double Lock Paving Chairs G2 & GTI® Double Mat Extension G2

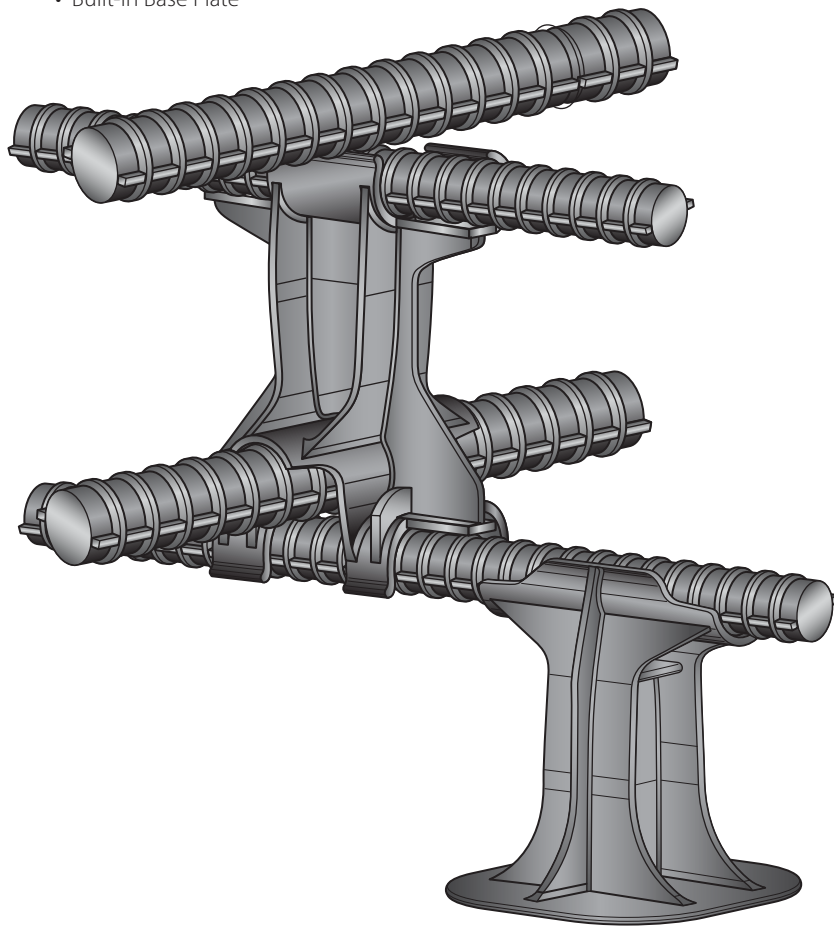
Internationally Recognized
Technically Advanced
Innovative Products

INNOVATION ♦ RELIABILITY ♦ QUALITY ♦ PERFORMANCE ♦ INNOVATION ♦ RELIABILITY ♦ QUALITY ♦ PERFORMANCE ♦ INNOVATION ♦ RELIABILITY ♦ QUALITY ♦ PERFORMANCE

Primary Uses: Slab-on-Grade - Rebar, PT
Single Mat - Rebar
City, County & Highway Paving
Bottom Layer Double Mat Support - Rebar
Top Layer Double Mat Support - Rebar

Size: From 2 1/2" to 7 1/2" (1/4" increments)

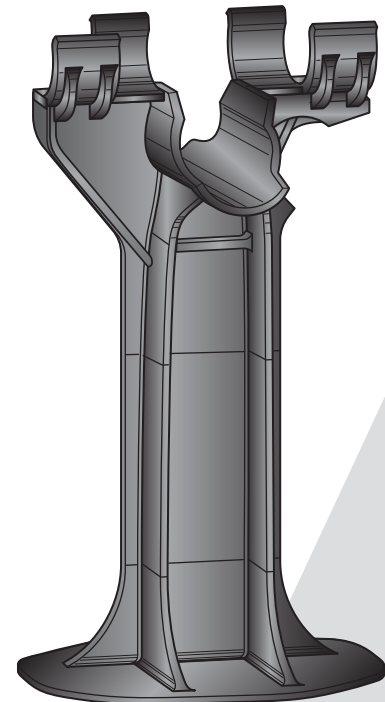
- Features:**
- Fits #4 - #6 Rebar
 - Built-in Base Plate



SIZE	#4 / #4	#5 / #5	#6 / #5	#6 / #6
2 1/2"	222525	222625	222725	222825
2 3/4"	222527	222627	222727	222827
3"	222530	222630	222730	222830
3 1/4"	222532	222632	222732	222832
3 1/2"	222535	222635	222735	222835
3 3/4"	222537	222637	222737	222837
4"	222540	222640	222740	222840
4 1/4"	222542	222642	222742	222842
4 1/2"	222545	222645	222745	222845
4 3/4"	222547	222647	222747	222847
5"	222550	222650	222750	222850
5 1/4"	222552	222652	222752	222852
5 1/2"	222555	222655	222755	222855
5 3/4"	222557	222657	222757	222857
6"	222560	222660	222760	222860
6 1/4"	222562	222662	222762	222862
6 1/2"	222565	222665	222765	222865
6 3/4"	222567	222667	222767	222867
7"	222570	222670	222770	222870
7 1/4"	222572	222672	222772	222872
7 1/2"	222575	222675	222775	222875

PRODUCT APPLICATIONS

DOT SOG



GTI® DOUBLE MAT EXTENSION G2						
HEAD BAR SIZE						
	#5	#5	#5	#6	#6	#6
BASE BAR SIZE						
SIZE	#5 / #5	#6 / #5	#6 / #6	#5 / #5	#6 / #5	#6 / #6
3 1/2"	224363	224373	224383	224463	224373	224483
4"	224364	224374	224384	224464	224474	224484
4 1/2"	224365	224375	224385	224465	224475	224485



GTI® Shims

Internationally Recognized
Technically Advanced
Innovative Products

INNOVATION ♦ RELIABILITY ♦ QUALITY ♦ PERFORMANCE ♦ INNOVATION ♦ RELIABILITY ♦ QUALITY ♦ PERFORMANCE ♦ INNOVATION ♦ RELIABILITY ♦ QUALITY ♦ PERFORMANCE

- Primary Uses:** Bearing Pads for Tilt-up or Pre-cast Panels
- Size:** 4" x 6" From 1/16" to 1/4"
- Features:**
- Highest Bearing Strength > 8000 - 10000 psi
 - Made of Nylon Composite

PRODUCT APPLICATIONS

DOT PC TU

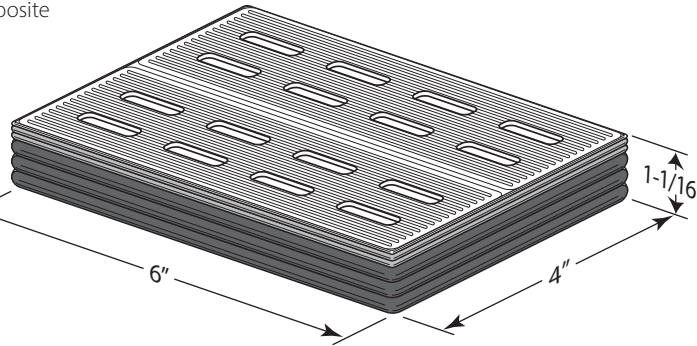
SIZE	PART NO.	PCS/BOX
1/16"	219060	960
1/8"	219125	480
1/4"	219250	240
Set	219100	60

GTI® SHIM STACK, 4x6

Product Code: 219100

Each shim stack set contains:

- 1 ea – 1/16" Shim
- 2 ea – 1/8" Shims
- 3 ea – 1/4" Shims



GTI® Concrete Accessories Application Chart

PROPER CARE AND USAGE: Do not leave GTI® Bar Supports in the sun or in bright daylight for prolonged periods of time - composites, plastics, and bags may become brittle; the material used to manufacture GTI® Bar Supports is physiologically safe and resistant against all acids and alkaline solutions used in the construction industry; do not apply oils, release agents, or similar products to GTI® Bar Supports; under certain conditions small rupture may occur at the surface of concrete in the vicinity of GTI® Bar Supports when too much oil or release agent is used on the formed surface - further causes may be poor cleaning of the concrete surface and improper use of primer when painting; GTI® Bar Supports have been used world-wide in every climatic condition without complaint.

PRODUCT APPLICATIONS

		DOT	PC	PT	SOG	SE	TU	WC	
		Department of Transportation	Precast	Post-Tension Slabs	Slab on Ground	Slab - Elevated	Tilt-Up	Walls & Columns	
		Series							
PRODUCTS	Individual Bar Supports	GTI® Composite PC Chairs	216	✓	✓	✓	✓	✓	
		GTI® Composite Tall Chairs	293	✓	✓	✓	✓	✓	
		GTI® Composite Stack Chairs	291	✓	✓	✓	✓	✓	
		GTI® Composite Bar Chairs	210	✓	✓	✓	✓	✓	
		GTI® Composite High Chairs	208	✓	✓	✓	✓	✓	
		GTI® Sand Plates	208/210/216/293	✓	✓	✓	✓		
		GTI® Single Lock Paving Chairs	212	✓			✓		
		GTI® Single Lock Paving Chairs G2	222/223	✓			✓		
		GTI® Double Lock Paving Chairs	217	✓			✓		
		GTI® Double Lock Paving Chairs G2	222	✓			✓		
		GTI® Double Mat Extension G2	224	✓			✓		
		GTI® Shims	219	✓	✓				✓
Continuous Bar Supports	GTI® Slab/Beam Bolsters - Black	209	✓	✓	✓		✓	✓	
	GTI® Slab/Beam Bolsters - Grey	215	✓	✓	✓		✓	✓	
	GTI® Slab Bolsters	218	✓	✓	✓		✓	✓	
	GTI® Slab Bolster Upper	260	✓	✓	✓	✓	✓	✓	
PT Acc.	GTI® Intersectional Chairs	205		✓	✓				

🇺🇸 GTI® Composite Bar Supports comply with the Build America, Buy America Act (BABA) and all aspects of CRSI/ANSI RB4.1. 🇺🇸

See www.gti-usa.net/patents.shtml for a listing of many of the patents licensed to GTI®, including patents that may cover one or more of the products identified on this page.



GTI[®] Contacts

Internationally Recognized
Technically Advanced
Innovative Products

INNOVATION ♦ RELIABILITY ♦ QUALITY ♦ PERFORMANCE ♦ INNOVATION ♦ RELIABILITY ♦ QUALITY ♦ PERFORMANCE ♦ INNOVATION ♦ RELIABILITY ♦ QUALITY ♦ PERFORMANCE



Corporate Headquarters, Manufacturing Center & Southwestern Distribution Center

HOUSTON

13022 Trinity Drive • Stafford, TX 77477 • Tel: (281) 240-0550 • Fax: (281) 240-0990 • barsupports.houston@gti-usa.net

Mid-Atlantic Distribution Center

WASHINGTON, D.C.

9404 Gunston Cove Road • Lorton, VA 22079 • Tel: (703) 495-8507 • Fax: (703) 495-8509 • barsupports.virginia@gti-usa.net

Central Distribution Center

CHICAGO

903 Wesemann Drive • West Dundee, IL 60118 • Tel: (847) 241-2692 • FAX: (847) 241-2694 • barsupports.chicago@gti-usa.net

Please contact GTI[®] for Dealers in your area.



P.O. Box 1503
13022 Trinity Drive
Stafford, TX 77477
Tel: (281) 240-0550

E-mail: accessories@gti-usa.net
Website: www.gti-usa.net
Fax: (281) 240-0990