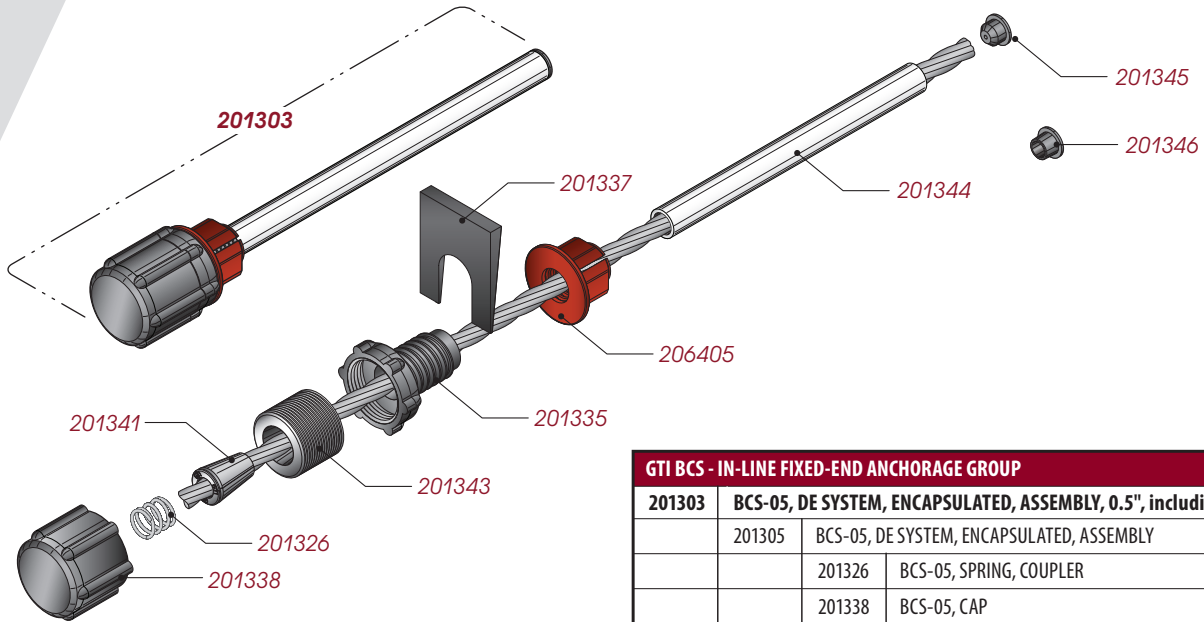


GTI BCS - In-Line Fixed-End Anchorage Group



GTI BCS - IN-LINE FIXED-END ANCHORAGE GROUP		
201303	BCS-05, DE SYSTEM, ENCAPSULATED, ASSEMBLY, 0.5", including	
	201305	BCS-05, DE SYSTEM, ENCAPSULATED, ASSEMBLY
	201326	BCS-05, SPRING, COUPLER
	201338	BCS-05, CAP
	201341	BCS-05, GTI S1-05, 3PC WEDGE, PLATED
	201343	BCS-05, THREADED BARREL ANCHOR, PLATED
	201331	BCS-05, PLATE, PLATED
	201335	BCS-05, MANDREL
	201344	BCS-05, PIPE
	201345	BCS-05, PIPE, LOCATOR PLUG
	201346	BCS-05, PIPE, PLUG
	206405	.6" Z-VOID POCKET FORMER, NUT
201304	BCS-05, DE SYSTEM, ENCAPSULATED, ANGLED, ASSEMBLY, 0.5", including	
	201305	BCS-05, DE SYSTEM, ENCAPSULATED, ASSEMBLY
	201326	BCS-05, SPRING, COUPLER
	201338	BCS-05, CAP
	201341	BCS-05, GTI S1-05, 3PC WEDGE, PLATED
	201343	BCS-05, THREADED BARREL ANCHOR, PLATED
	201332	BCS-05, PLATE, ANGLED, PLATED
	201336	BCS-05, MANDREL, ANGLED
	201337	BCS-05, WEDGE, ANGLED
	201344	BCS-05, PIPE
	201345	BCS-05, PIPE, LOCATOR PLUG
	201346	BCS-05, PIPE, PLUG
	206405	.6" Z-VOID POCKET FORMER, NUT