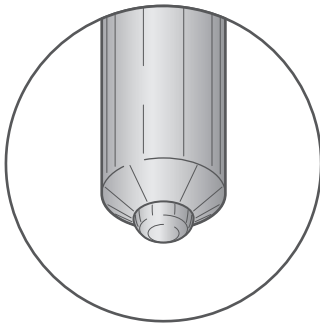


## GTI® Composite PC Chairs™

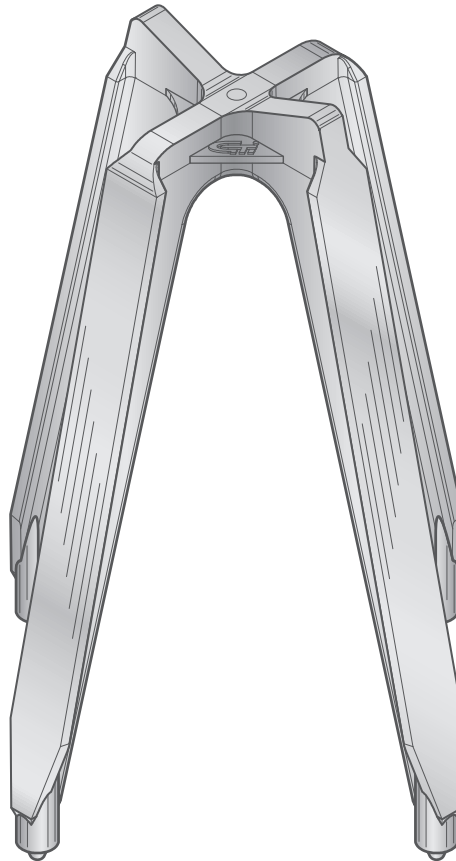
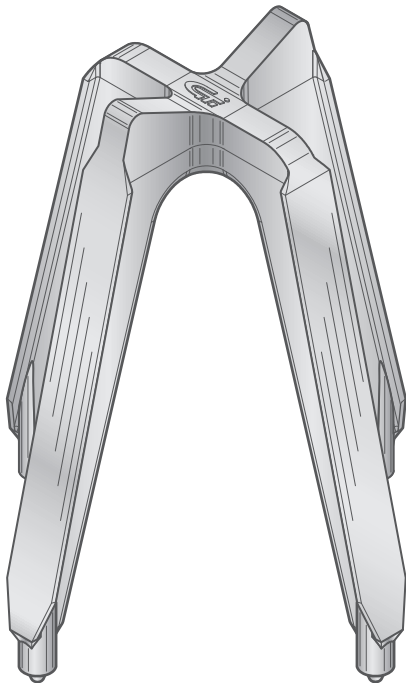
**Primary Uses:** Precast Concrete Slab and Wall Panels  
Tilt-up Concrete Wall Panels  
Elevated Slabs

**Size:** From 3/4" to 12 1/2" (1/4" increments)

- Features:**
- Grey or black
  - Ball on foot does not damage form work
  - Ball is virtually invisible on concrete surface
  - Designed for maximum aggregate flow and concrete consolidation
  - Will cradle all sizes of reinforcing bars
  - Larger stable footprint
  - The strongest chair in the industry



**Detail of Ball Foot**



SIZE	PART NO. BLACK	PART NO. GREY
3/4"	214075	216075
1"	214100	216100
1 1/4"	214125	216125
1 1/2"	214150	216150
1 3/4"	214175	216175
2"	214200	216200
2 1/4"	214225	216225
2 1/2"	214250	216250
2 3/4"	214275	216275
3"	214300	216300
3 1/4"	214325	216325
3 1/2"	214350	216350
3 3/4"	214375	216375
4"	214400	216400
4 1/4"	214425	216425
4 1/2"	214450	216450
4 3/4"	214475	216475
5"	214500	216500
5 1/4"	214525	216525
5 1/2"	214550	216550
5 3/4"	214575	216575
6"	214600	216600
6 1/4"	214625	216625
6 1/2"	214650	216650
6 3/4"	214675	216675
7"	214700	216700
7 1/4"	214725	216725
7 1/2"	214750	216750
7 3/4"	214775	216775
8"	214800	216800
8 1/4"	214825	216825
8 1/2"	214850	216850
8 3/4"	214875	216875
9"	214900	216900
9 1/4"	214925	216925
9 1/2"	214950	216950
9 3/4"	214975	216975
10"	214980	216980
10 1/4"	214981	216981
10 1/2"	214982	216982
10 3/4"	214983	216983
11"	214984	216984
11 1/4"	214985	216985
11 1/2"	214986	216986
11 3/4"	214987	216987
12"	214988	216988
12 1/4"	214989	216989
12 1/2"	214990	216990

**PRODUCT APPLICATIONS**

**DOT PC PT SOG SE TU**

*Note: Sand Plate available.*

🇺🇸 GTI® Composite Bar Supports comply with the Build America, Buy America Act (BABA) and all aspects of CRSI/ANSI RB4.1. 🇺🇸

See [www.gti-usa.net/patents.shtml](http://www.gti-usa.net/patents.shtml) for a listing of many of the patents licensed to GTI®, including patents that may cover one or more of the products identified on this page.