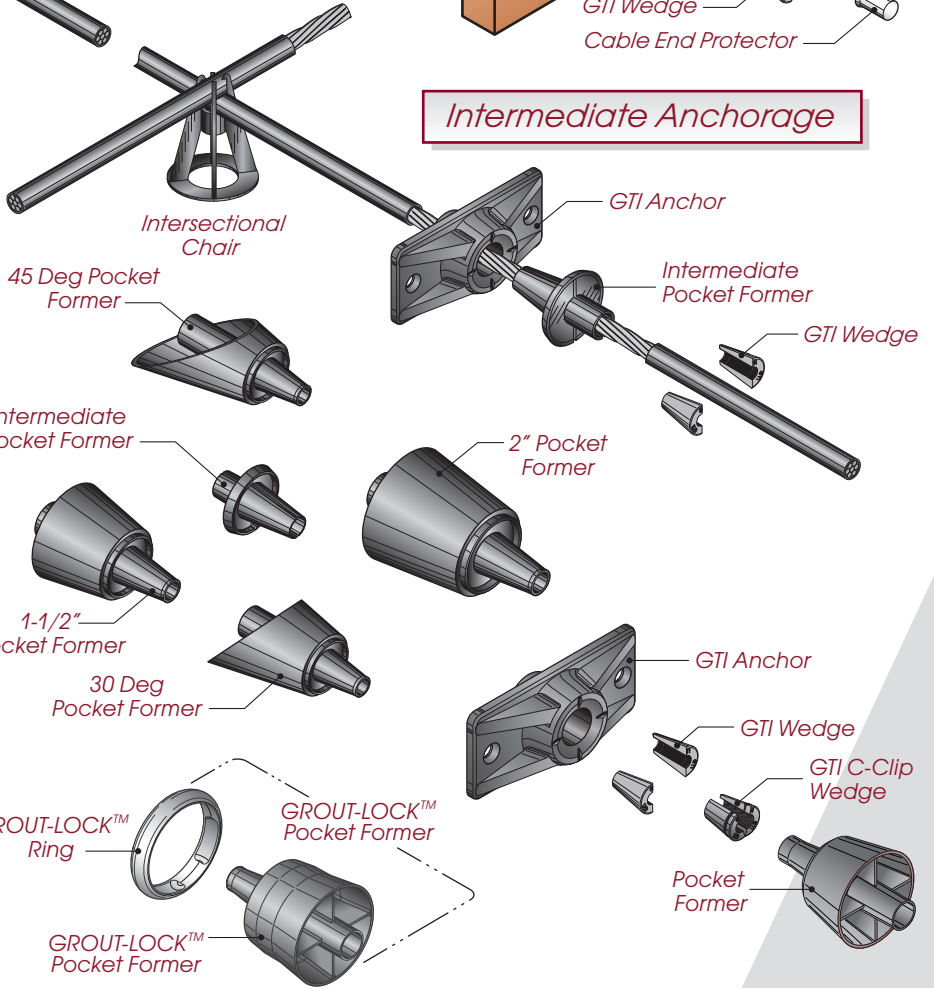
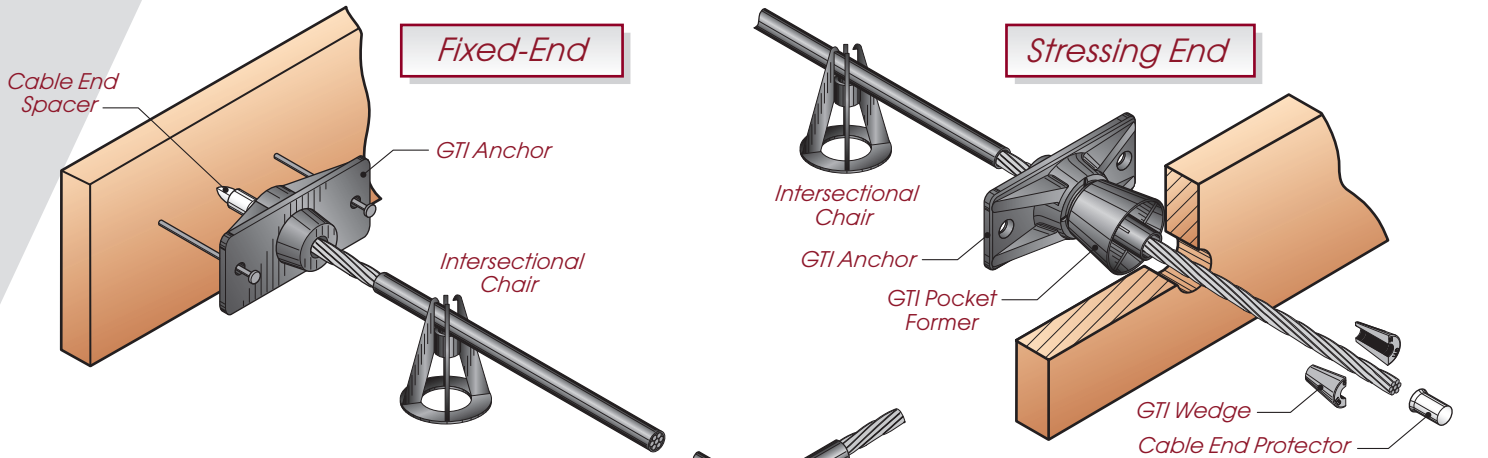




GTI Slab-on-Ground Anchorages

Internationally Recognized
Technically Advanced
Innovative Products

INNOVATION ♦ RELIABILITY ♦ QUALITY ♦ PERFORMANCE ♦ INNOVATION ♦ RELIABILITY ♦ QUALITY ♦ PERFORMANCE ♦ INNOVATION ♦ RELIABILITY ♦ QUALITY ♦ PERFORMANCE



0.5" GTI BARE ANCHORAGE SYSTEM	
GTI SC1-05 ANCHORAGE	
201700	GTI SC1-05 ANCHORAGE SET
201701	GTI SC1-05 ANCHOR
201531	GTI SC1-05, 2-PIECE WEDGE
GTI SUBSTITUTE WEDGES	
201538	GTI SC1-05, 2-PIECE WEDGE, W/CLIP
GTI POCKET FORMERS	
204701	SC1-05 POCKET FORMER, 1.5"
204702	SC1-05 POCKET FORMER, 2"
204703	SC1-05 POCKET FORMER, 30 DEG
204704	SC1-05 POCKET FORMER, 45 DEG
204705	SC1-05 POCKET FORMER, INTERMEDIATE
GTI SF1-05 and SM1-05 ANCHORAGES	
201720	GTI SF1-05 ANCHORAGE SET
201721	GTI SF1-05 ANCHOR
201115/201515	GTI S1-05 2-PIECE WEDGE, 1.2" LONG
201750	GTI SM1-05 ANCHORAGE SET
201751	GTI SM1-05 ANCHOR
201115/201515	GTI S1-05 2-PIECE WEDGE, 1.2" LONG
GTI SUBSTITUTE WEDGES	
201518	GTI S1-05 2-PIECE WEDGE, W/CLIP
GTI POCKET FORMERS	
204751	S1-05 POCKET FORMER, 1.5"
204752	S1-05 POCKET FORMER, 2"
204753	S1-05 POCKET FORMER, 30 DEG., .5"
204754	S1-05 POCKET FORMER, 45 DEG., .5"
204755	S1-05 POCKET FORMER, INTERMEDIATE
204552	POCKET FORMER, GROUT-LOCK RING
204772	POCKET FORMER, 2.0", S1-05, GROUT-LOCK
ACCESSORY COMPONENTS FOR SLAB-ON-GROUND	
201156	CABLE END PROTECTOR
201159	CABLE END SPACER

Please contact GTI Technical Representatives at sales@gti-usa.net for more information. See www.gti-usa.net/patents.shtml for a listing of many of the patents licensed to GTI, including patents that may cover one or more of the products identified.

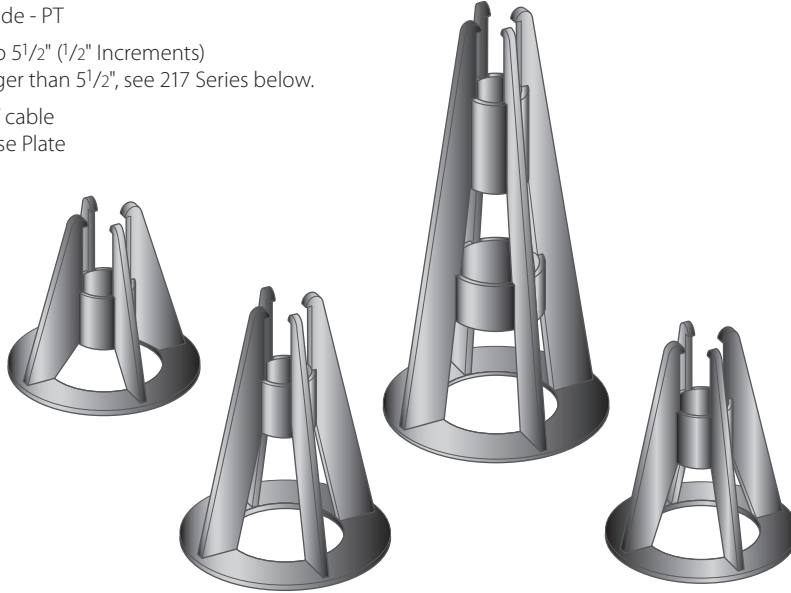


GTI Slab-on-Ground Chairs

Internationally Recognized
Technically Advanced
Innovative Products

INNOVATION ♦ RELIABILITY ♦ QUALITY ♦ PERFORMANCE ♦ INNOVATION ♦ RELIABILITY ♦ QUALITY ♦ PERFORMANCE ♦ INNOVATION ♦ RELIABILITY ♦ QUALITY ♦ PERFORMANCE

- Primary Uses:** Slab-on-Grade - PT
- Size:** From 1 1/2" to 5 1/2" (1/2" Increments)
For sizes larger than 5 1/2", see 217 Series below.
- Features:**
- Fits 1/2" PT cable
 - Built-in Base Plate



PART NO.	SIZE
205115	1 1/2"
205120	2"
205125	2 1/2"
205130	3"
205135	3 1/2"
205140	4"
205145	4 1/2"
205150	5"
205155	5 1/2"

PRODUCT APPLICATIONS

PT **SOG**

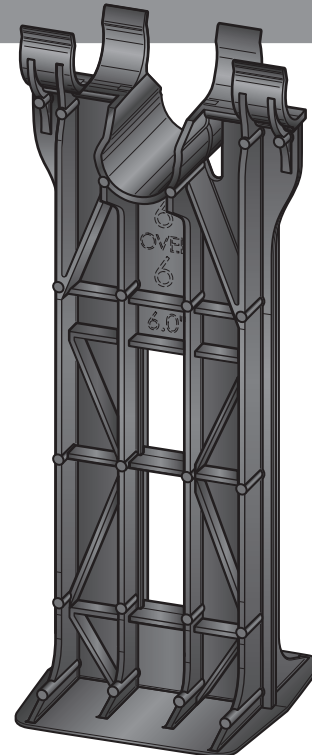
GTI Double Lock Paving Chairs™

- Primary Uses:** Slab-on-Grade - PT
- Size:** From 6" to 9" (1/2" increments)
For sizes smaller than 6", see 205 Series above.
- Features:**
- Fits 1/2" PT Cable
 - Built-in Base Plate

PART NO.	HEIGHT
217360	6"
217365	6 1/2"
217370	7"
217375	7 1/2"
217380	8"
217385	8 1/2"
217390	9"

PRODUCT APPLICATIONS

PT **SOG**



Please contact GTI Technical Representatives at sales@gti-usa.net for more information.
See www.gti-usa.net/patents.shtml for a listing of many of the patents licensed to GTI, including patents that may cover one or more of the products identified.