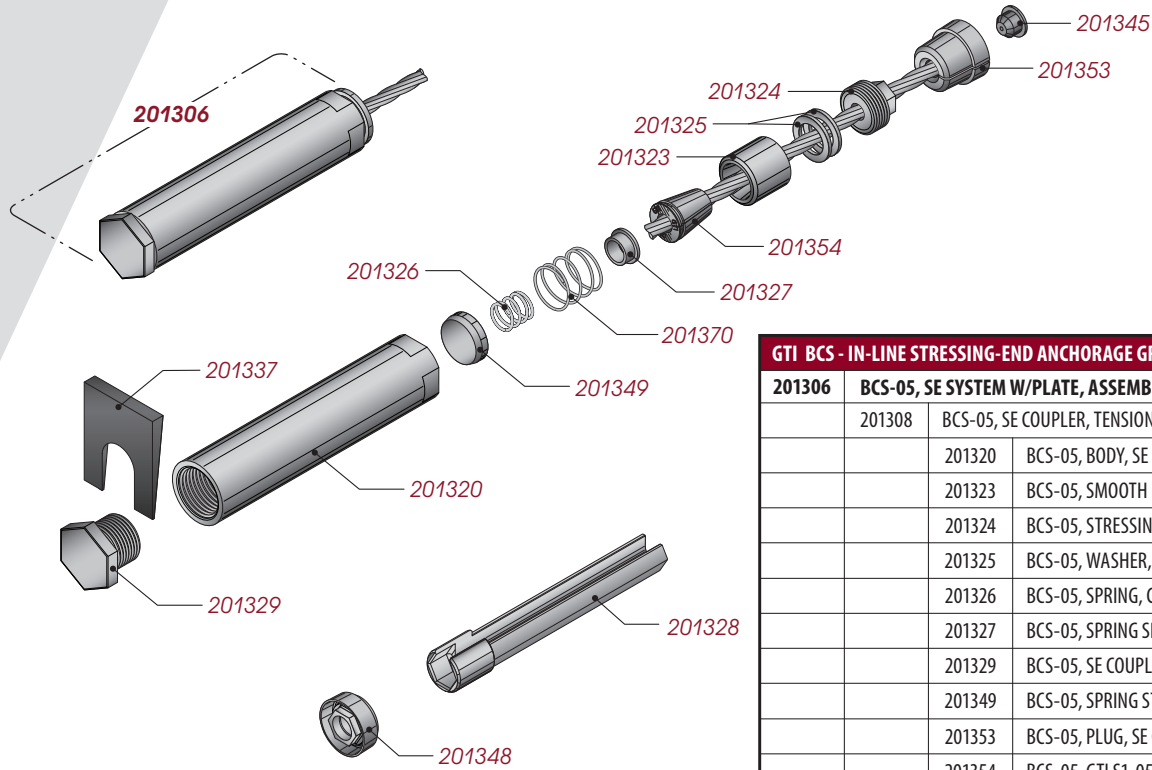




GTI BCS - In-Line Stressing-End Anchorage Group



GTI BCS - IN-LINE STRESSING-END ANCHORAGE GROUP		
201306	BCS-05, SE SYSTEM W/PLATE, ASSEMBLY, 0.5", including	
	201308	BCS-05, SE COUPLER, TENSIONING, ASSEMBLY
	201320	BCS-05, BODY, SE COUPLER, PLATED
	201323	BCS-05, SMOOTH BARREL ANCHOR, COUPLER, PLATED
	201324	BCS-05, STRESSING NUT, COUPLER, PLATED
	201325	BCS-05, WASHER, COUPLER
	201326	BCS-05, SPRING, COUPLER
	201327	BCS-05, SPRING SPACER, COUPLER
	201329	BCS-05, SE COUPLER FASTENER NUT, PLATED
	201349	BCS-05, SPRING STOP, COUPLER
	201353	BCS-05, PLUG, SE COUPLER
	201354	BCS-05, GTI S1-05, 3PC WEDGE, PLATED
	201370	BCS-05, SPRING, COUPLER BARREL
	201333	BCS-05, PLATE, SE COUPLER, PLATED
	201345	BCS-05, PIPE, LOCATOR PLUG
	201348	BCS-05, POCKET FORMER, SE COUPLER
201307	BCS-05, SE SYSTEM W/PLATE, ANGLED, ASSEMBLY, 0.5", including	
	201309	BCS-05, SE COUPLER, TENSIONING, ANGLED, ASSEMBLY
	201320	BCS-05, BODY, SE COUPLER, PLATED
	201323	BCS-05, SMOOTH BARREL ANCHOR, COUPLER, PLATED
	201324	BCS-05, STRESSING NUT, COUPLER, PLATED
	201325	BCS-05, WASHER, COUPLER
	201326	BCS-05, SPRING, COUPLER
	201327	BCS-05, SPRING SPACER, COUPLER
	201330	BCS-05, SE COUPLER FASTENER NUT, ANGLED, PLATED
	201349	BCS-05, SPRING STOP, COUPLER
	201353	BCS-05, PLUG, SE COUPLER
	201354	BCS-05, GTI S1-05, 3PC WEDGE, PLATED
	201370	BCS-05, SPRING, COUPLER BARREL
	201334	BCS-05, PLATE, SE COUPLER, ANGLED, PLATED
	201337	BCS-05, WEDGE, ANGLED
	201345	BCS-05, PIPE, LOCATOR
	201348	BCS-05, POCKET FORMER, SE COUPLER
201328	BCS-05, WRENCH, COUPLER, PLATED	