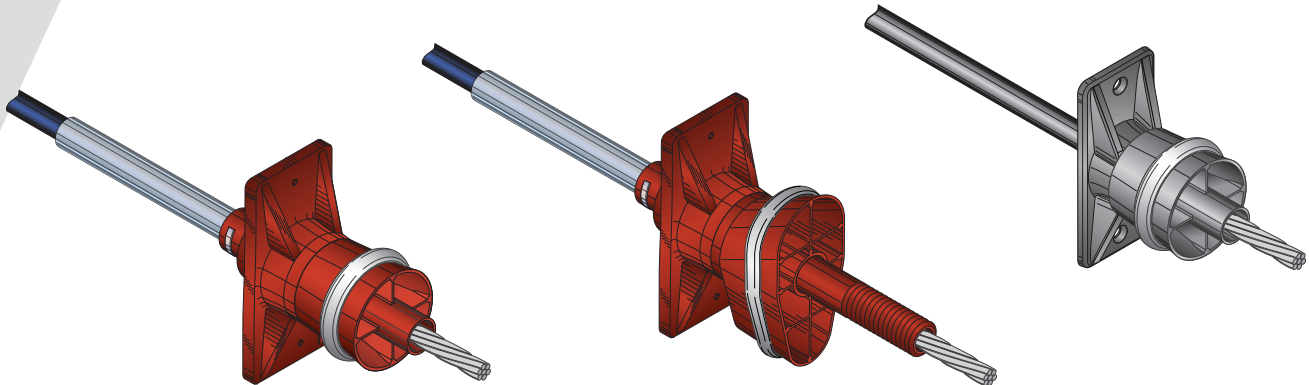




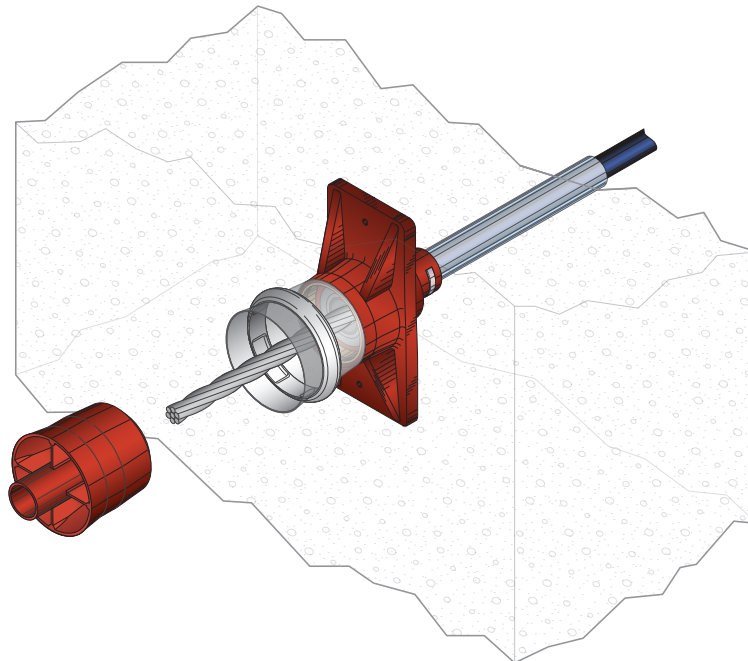
## GTI GROUT-LOCK™ Pocket Formers

Internationally Recognized  
Technically Advanced  
Innovative Products

INNOVATION ♦ RELIABILITY ♦ QUALITY ♦ PERFORMANCE ♦ INNOVATION ♦ RELIABILITY ♦ QUALITY ♦ PERFORMANCE ♦ INNOVATION ♦ RELIABILITY ♦ QUALITY ♦ PERFORMANCE



The **GTI GROUT-LOCK™ Pocket Former**, consisting of a pocket former with a lock ring, is a unique concept to improve the quality and longevity of post-tensioning tendons by providing a mechanical bond that holds the grout plug tightly in place against the surrounding concrete even in less than ideal conditions where the stressing pocket is wet, dirty, covered with grease, or torch residue. The **GTI GROUT-LOCK™ Ring** has an interior concave surface creating a shear key and slides into position on the **GTI GROUT-LOCK™ Pocket Former** holding it in place.



### Benefits - GTI GROUT-LOCK™

- **Enhances durability** – keeps grout plug tightly in place preventing water from accessing anchorage and prestressing steel thereby minimizing possible corrosion
- **Minimizes future repairs** – in addition to minimizing corrosion, grout stays in place and doesn't fall out due to vibration or spalling
- **Economical** – simplicity and ease of installation
- **Effectiveness** – Mechanical interlock results in an extremely strong connection. A study comparing the pullout behavior of the **GTI GROUT-LOCK™ Stressing Pocket** and a standard stressing pocket showed that the bond of the **GTI GROUT-LOCK™ Stressing Pocket** was greater than the strength of the surrounding concrete.

## GTI GROUT-LOCK™ Pocket Formers

Internationally Recognized  
Technically Advanced  
Innovative Products

INNOVATION ♦ RELIABILITY ♦ QUALITY ♦ PERFORMANCE ♦ INNOVATION ♦ RELIABILITY ♦ QUALITY ♦ PERFORMANCE ♦ INNOVATION ♦ RELIABILITY ♦ QUALITY ♦ PERFORMANCE

### Comparison Pullout Study:



#### GTI GROUT-LOCK™ Pocket Former

Prevents grout plug from pulling out; surrounding concrete fails in shear.



#### Standard Grout Plug

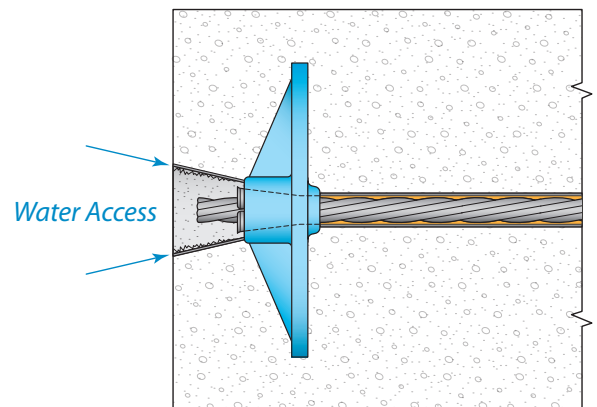
Weak connection, poorly adhered to concrete. Grout pulls out as a conical plug; leaving anchorage unprotected.



With standard grout plugs, the cementitious grout shrinks and becomes loose. Poor bond and/or poor quality mortar permits aggressive materials easy access to anchorage and prestressing steel. Precast grout plugs do not fill the entire void made by the pocket former, require complex installation procedures, and are very expensive.



Defective grouting of stressing pockets leads to tendon failures and, in at least one case, contributed to requiring demolition of the entire high-rise building.



Please contact GTI Technical Representatives at [sales@gti-usa.net](mailto:sales@gti-usa.net) for more information.

See [www.gti-usa.net/patents.shtml](http://www.gti-usa.net/patents.shtml) for a listing of many of the patents licensed to GTI, including patents that may cover one or more of the products identified.