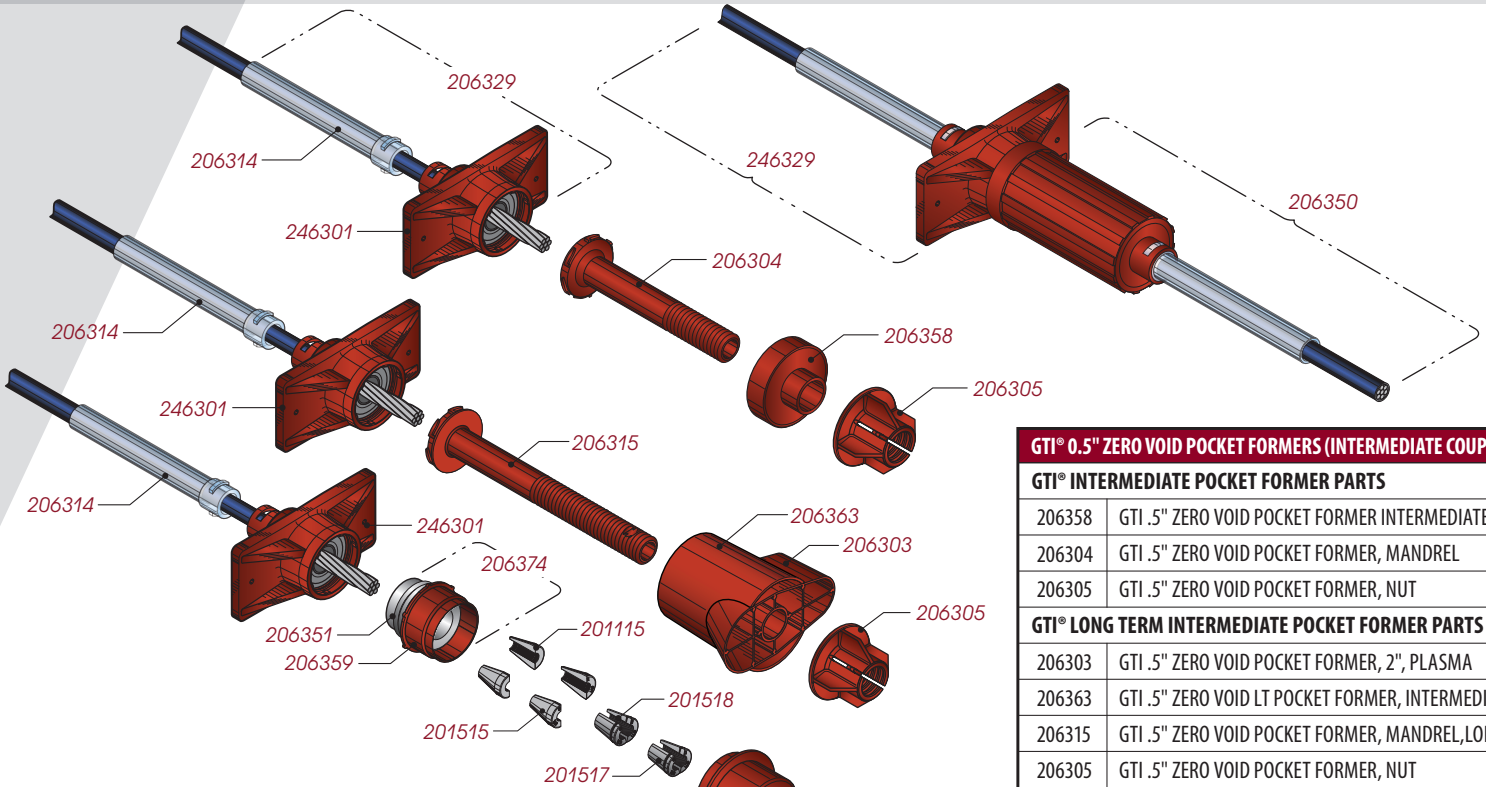


GTI® 0.5" Zero Void Intermediate Coupler



GTI® 0.5" ZERO VOID POCKET FORMERS (INTERMEDIATE COUPLER)	
GTI® INTERMEDIATE POCKET FORMER PARTS	
206358	GTI .5" ZERO VOID POCKET FORMER INTERMEDIATE
206304	GTI .5" ZERO VOID POCKET FORMER, MANDREL
206305	GTI .5" ZERO VOID POCKET FORMER, NUT
GTI® LONG TERM INTERMEDIATE POCKET FORMER PARTS	
206303	GTI .5" ZERO VOID POCKET FORMER, 2", PLASMA
206363	GTI .5" ZERO VOID LT POCKET FORMER, INTERMEDIATE
206315	GTI .5" ZERO VOID POCKET FORMER, MANDREL, LONG
206305	GTI .5" ZERO VOID POCKET FORMER, NUT

GTI® 0.5" ZERO VOID INTERMEDIATE COUPLER	
246329	GTI .5" ZERO VOID ENCAPSULATION SET, INTERMEDIATE, SM1-05, including
246391	GTI .5" ZERO VOID ENCAPSULATION & SEAL, SM1-05
246301	GTI .5" ZERO VOID ENCAPSULATION, SM1-05
206314	GTI .5" ZERO VOID SEAL, 6", TRANSPARENT
FOR WEDGE PART NUMBER SEE WEDGE TABLE	
206350	GTI .5" Z-VOID INTERMEDIATE ENCAPSULATED COUPLER ASSEMBLY, including
206352	GTI .5" Z-VOID BARREL ANCHOR, INTERMEDIATE
206356	GTI .5" Z-VOID CAP, INTERMEDIATE STRESSING
206373	GTI .5" Z-VOID INTERMEDIATE ENCAPSULATION ASSEMBLY
206353	GTI .5" Z-VOID MACHINED COUPLER HOUSING, INTERMEDIATE
206354	GTI .5" Z-VOID INTERMEDIATE ENCAPSULATION
206357	GTI .5" Z-VOID CAP, INTERMEDIATE FIXED
206360	GTI INTERNAL VOID SPACER, REAR
206368	GTI .5" Z-VOID INTERMEDIATE O-RING 140
206374	GTI .5" Z-VOID INTERMEDIATE THREADED BARREL ASSEMBLY
206351	GTI .5" Z-VOID BARREL ANCHOR, INTERMEDIATE, THREADED
206359	GTI BARREL ANCHOR THREAD PROTECTOR
206375	GTI .5" Z-VOID INTERMEDIATE INTERNAL SPACER ASSEMBLY
206355	GTI .5" Z-VOID INTERNAL SPACER HOUSING
206367	GTI .5" Z-VOID INTERNAL SPACER FOAM
206314	GTI .5" Z-VOID SEAL, 6", TRANSPARENT
206364	GTI .5" ZERO VOID INTERMEDIATE LT CAP
206365	GTI .5" ZERO VOID INTERMEDIATE LT CAP EXTENSION

GTI® WEDGE TABLE		
GTI® Zero Void Anchorage Kits are sold with a variety of wedge types based on customer preference. See table below to determine/identify wedge type.		
A	201115	GTI WEDGE, 2 PIECE .5", 1.2" LONG
B	201515	GTI S1-05 2-PIECE WEDGE, 1.2" LONG
C	201518	GTI S1-05 2-PIECE WEDGE, W/CLIP
D	201517	GTI S1-05 2 PIECE WEDGE, W/CLIP, SMOOTH